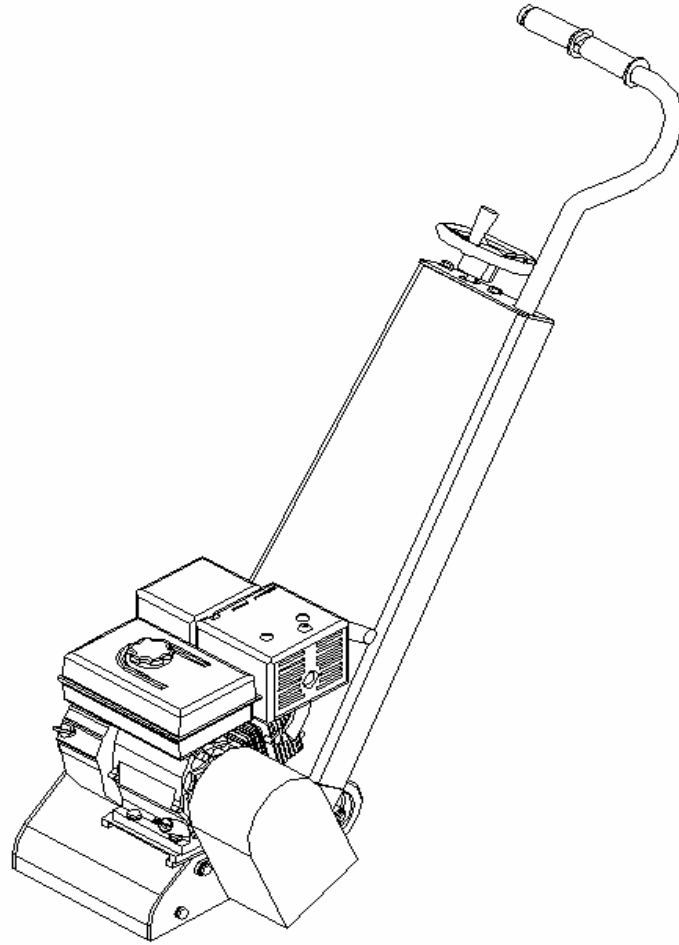


OSCAR

DZH200 B

ZEMİN FREZE

SURFACE PREPARATION



KULLANMA KILAVUZU & YEDEK PARÇA KATALOGU

OSKAR MAKINA INSAAT SANAYI VE DIS TIC. LTD. STI.

CANKIRI YOLU 1. CAD. BOZYER SOK. NO:17

PK: 06750 BUGDUZ-AKYURT/ANKARA/TURKEY

TEL:+90 312 8426025 FAX: +90 312 8426028

oscar@oscar.biz.tr

www.oscar.biz.tr

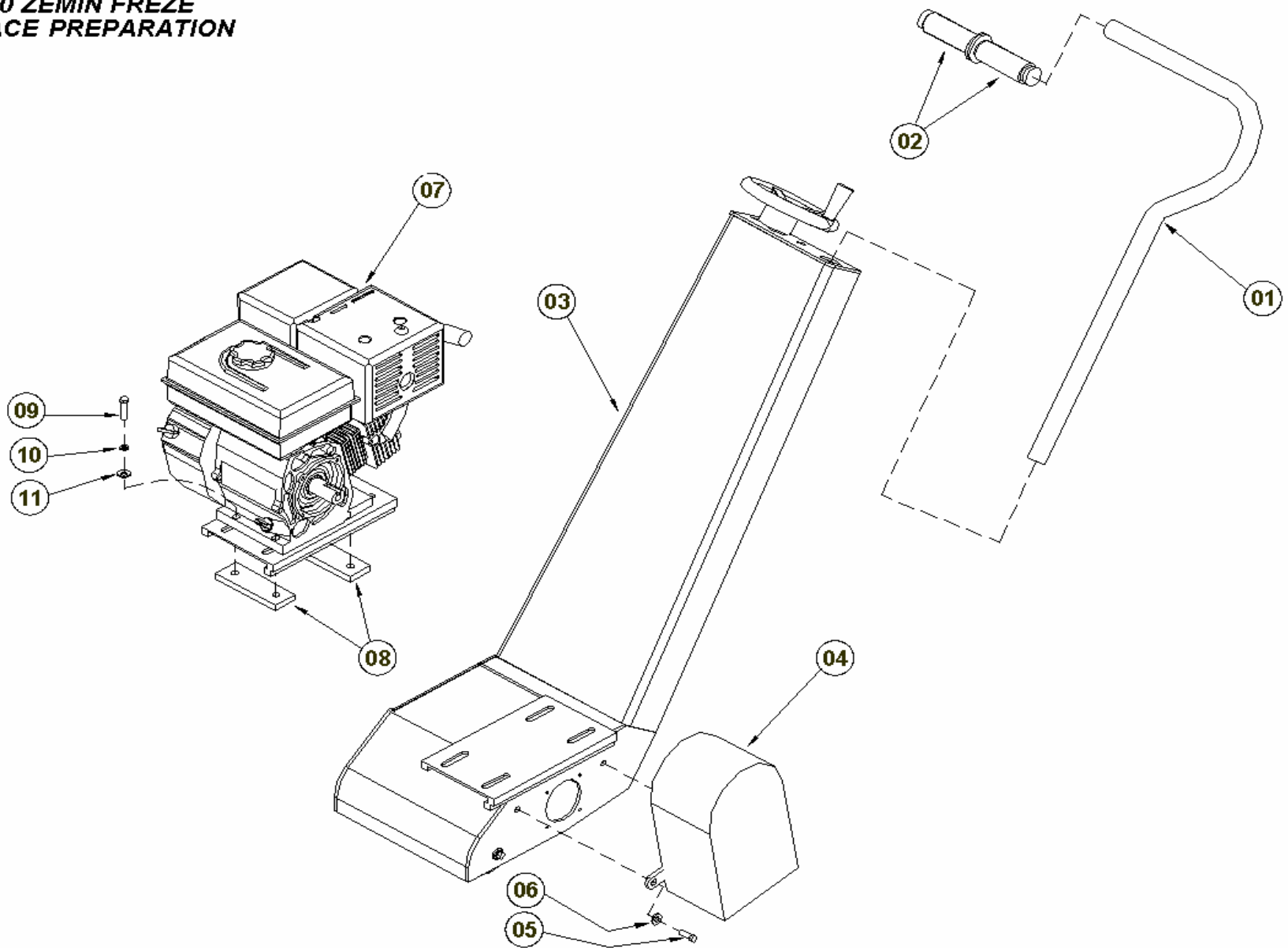
OSCAR**DZH200 B ZEMİN FREZE
DZH200 B SURFACE PREPARATION****YEDEK PARÇA KATALOGU
SPARE PARTS LIST**

RESİM NUMARASI REFERANCE NO	PARÇA NO PART NUMBER	PARÇA ADI	DESCRIPTION	ADET QUANTITY	FIGURE
01	12. DZH200-002	KUMANDA BORUSU	STEERING ARM	1	1
02	13. 25 KOLÇAK	25 LİK KOLÇAK	HANDLE	2	1
03	12. DZH200-001/B	ANA ŞAŞI KOMPLE - BENZİNLİ	MAIN CHASSIS	1	1
04	12. DZH200-024	DAVLUMBAZ	BELT GUARD	1	1
05	13. M10x20 C	CİVATA	BOLT	2	1
06	13. M10 R	RONDELA	WASHER SPRING	2	1
07		BENZİNLİ MOTOR	GASOLINE ENGINE	1	1
08	12. DZH200-001/15	MOTOR TUTUCU LAMASI	ENGINE FIXING PLATE	2	1
09	13. M8x35 C	CİVATA	BOLT	4	1
10	13. M8 R	RONDELA	WASHER SPRING	4	1
11	13. M8 P	PUL	WASHER	4	1

OSCAR

FIGURE 1

DZH200 ZEMĪN FREZE
SURFACE PREPARATION



OSCAR**DZH200 B ZEMİN FREZE
DZH200 B SURFACE PREPARATION****YEDEK PARÇA KATALOGU
SPARE PARTS LIST**

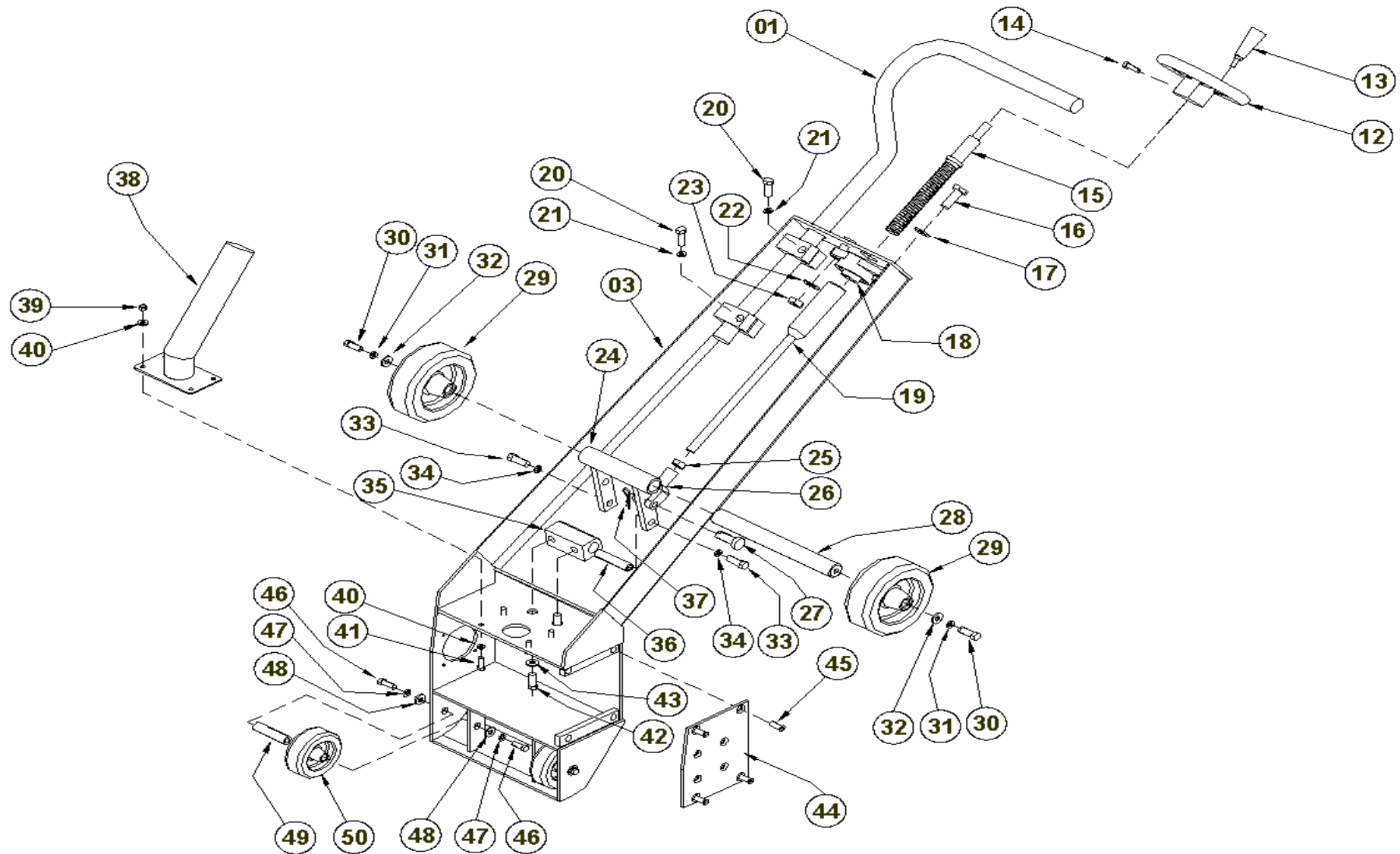
RESİM NUMARASI REFERENCE NO	PARÇA NO PART NUMBER	PARÇA ADI	DESCRIPTION	ADET QUANTITY	FIGURE
12	12. DZH200-022	DERİNLİK DİREKSİYONU	DEPTH WHEEL	1	2
13	12. DZH200-022/01	DERİNLİK DİREKSİYON KOLU	DEPTH WHEEL ARM	1	2
14	13. M6x30 IC	İMBUS CİVATA	HEXAGONAL BOLT	1	2
15	12. DZH200-021	DERİNLİK AYAR MİLİ	DEPTH ADJUSTMENT SHAFT	1	2
16	13. M12x30 C	CİVATA	BOLT	2	2
17	13. M12 P	PUL	WASHER	2	2
18	12. RY UCFL204	BADEM YATAK	BEARING, FLANGE HOUSEING	1	2
19	12. DZH200-020	DERİNLİK AYAR ÇUBUĞU KOMP.	DEPTH ADJUSTMENT ROD	1	2
20	13. M8x35 C	CİVATA	BOLT	2	2
21	13. M8 P	PUL	WASHER	2	2
22	13. M12 R	RONDELA	WASHER SPRING	2	2
23	13. M12 FS	FİBERLİ SOMUN	LOCKNUT	2	2
24	12. DZH200-018	ARKA TEKER MİL ÇATALI	REAR WHEEL SHAFT YOKE	1	2
25	13. M12 S	SOMUN	NUT	1	2
26	12. P600-004/03	BIÇAK AYAR ÇATALI	BLADE ADJUSMEND YOKE	1	2
27	12. P600-004/02	BIÇAK AYAR ÇATAL KİLİT PİMİ	SCREW	1	2
28	12. DZH200-017	ARKA TEKER MİLİ	BACK WHEEL SHAFT	1	2
29	12. T 150x45 AR	ARKA TEKER	BACK WHELL	2	2
30	13. M8x20 C	CİVATA	BOLT	2	2
31	13. M8 R	RONDELA	WASHER SPRING	2	2

OSCAR**DZH200 B ZEMİN FREZE
DZH200 B SURFACE PREPARATION****YEDEK PARÇA KATALOGU
SPARE PARTS LIST**

RESİM NUMARASI REFERANCE NO	PARÇA NO PART NUMBER	PARÇA ADI	DESCRIPTION	ADET QUANTITY	FIGURE
32	13. M10 P	PUL	WASHER	2	2
33	13. M12x20 C	CİVATA	BOLT	2	2
34	13. M12 R	RONDELA	WASHER SPRING	2	2
35	12. DZH200-016	ARKA TEKER TAKOZU	REAR WHEEL ADJ. HOUSING	1	2
36	12. DZH200-015	ARKA TEKER MİL BURCU	REAR WHEEL ADJ. HOUSE BUSHING	1	2
37	13. KPLY 3x40	KOPİLYA	COTTER PIN	1	2
38	12. DZH200-014	KOMPLE EMİCİ BORU	ABSORBER TUBE	1	2
39	13. M6 FS	FİBERLİ SOMUN	LOCKNUT	4	2
40	13. M6 P	PUL	WASHER	8	2
41	13. M6x20 C	CİVATA	BOLT	4	2
42	13. M12x20 C	CİVATA	BOLT	2	2
43	13. M12 R	RONDELA	WASHER SPRING	2	2
44	12. DZH200-007	TAMBUR ANA KAPAK SACI	DRUM MAIN COVER	1	2
45	13. M8x20 HIC	HAVŞA BAŞLI İMBUS CİVATA	FLAT HEAD SCREW	4	2
46	13. M8x20 C	CİVATA	BOLT	4	2
47	13. M8 R	RONDELA	WASHER SPRING	4	2
48	13. M8 P	PUL	WASHER	4	2
49	12. DZH200-013	ÖN TEKER MİLİ	FRONT WHEEL SHAFT	2	2
50	12. T 80x25 SLS	ÖN TEKER	FRONT WHEEL	2	2

OSCAR

FIGURE 2 DZH200 ZEMÍN FREZE SURFACE PREPARATION



OSCAR

DZH200 B ZEMİN FREZE
DZH200 B SURFACE PREPARATION

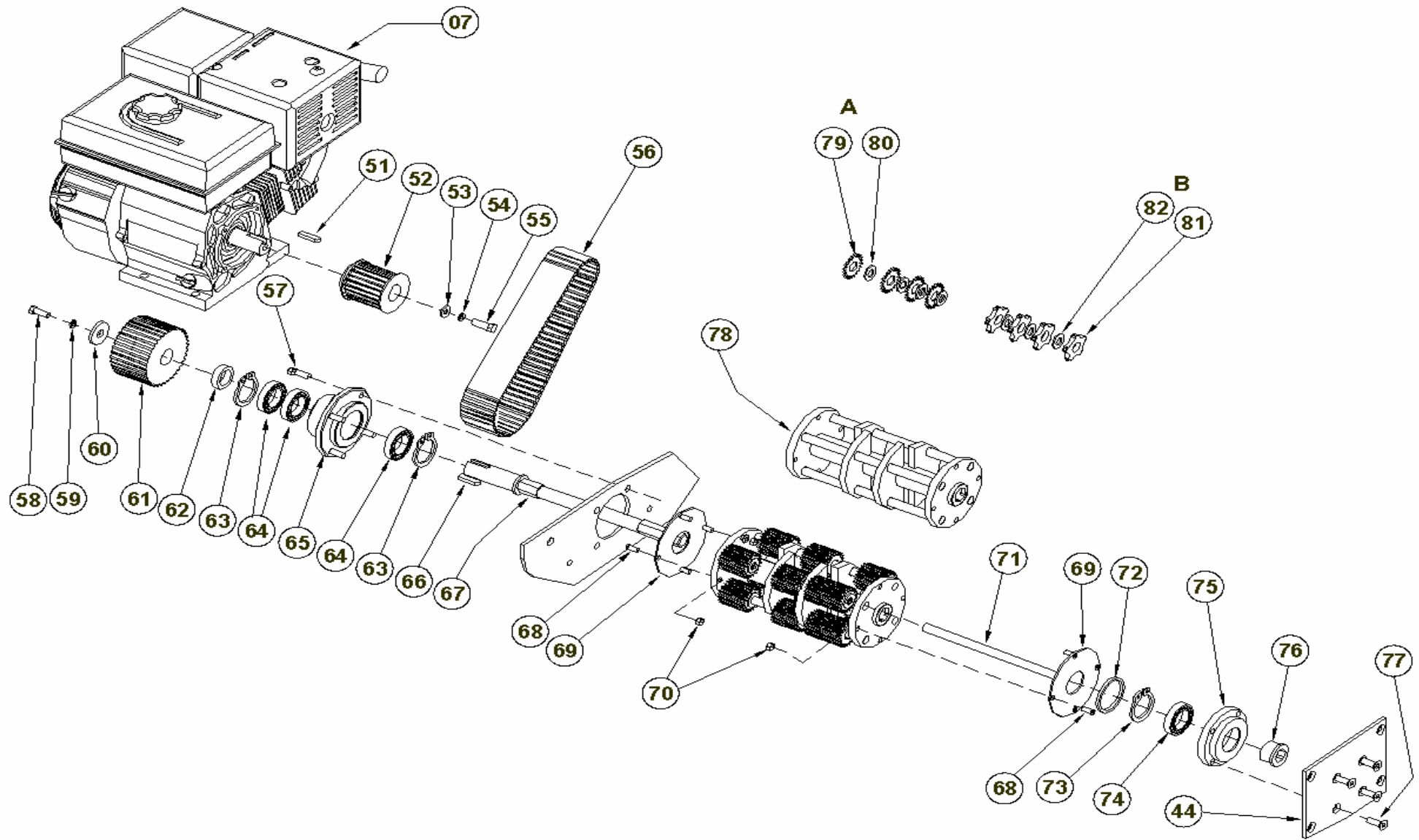
YEDEK PARÇA KATALOGU
SPARE PARTS LIST

RESİM NUMARASI REFERENCE NO	PARÇA NO PART NUMBER	PARÇA ADI	DESCRIPTION	ADET QUANTITY	FIGURE
51	13. K 5x5x30	KAMA	KEY	1	3
52	12. DZH200-010 B	MOTOR KASNAGI	ENGINE PULLEY	1	3
53	13. M10 P	PUL	WASHER	1	3
54	13. M8 R	RONDELA	WASHER SPRING	1	3
55	13. M8x35 C	CİVATA	BOLT	1	3
56	12. K HTG 640	DZH 200 ÖZEL KAYIŞ	SPECIAL BELT	1	3
57	13. M6x15 IC	İMBUS CİVATA	HEXAGONAL BOLT	4	3
58	13. M10x25 C	CİVATA	BOLT	1	3
59	13. M10 R	RONDELA	WASHER SPRING	1	3
60	12. OFC1218-016	KASNAK ÖZEL PULU (M10)	SPECIAL WASHER	1	3
61	12. DZH200-011	ANA MİL TRİGER KASNAĞI	SPECIAL PULLEY	1	3
62	12. DZH200-012/01	ANA MİL YÜZÜĞÜ	MAIN SHAFT RING	1	3
63	13. S 472x47	İÇ SEGMAN	RETAINING RING	2	3
64	12. R 6005	RULMAN	BEARING	3	3
65	12. DZH200-004	ANA MİL SOL RULMAN YATAK	BEARING HOUSING LEFT (MAIN SHAFT)	1	3
66	13. K 8x7x35	KAMA	KEY	1	3
67	12. DZH200-012	ANA MİL	MAIN SHAFT	1	3
68	13. M6x20 HIC	HAVŞA BAŞLI İMBUS CİVATA	FLAT HEAD SCREW	8	3
69	12. DZH200-006/06	TAMBUR YAN KAPAK SACI	DRUM SIDE PLATE	2	3
70	13. M6 FS	FİBERLİ SOMUN	LOCKNUT	8	3
71	12. DZH200-009	TAMBUR MİLİ	DRUM SHAFT	4	3
72	12. DZH200-008/01	RULMAN YÜZÜĞÜ	BEARING RING	1	3
73	13. S 471x30	DIŞ SEGMAN	RETAINING RING	1	3
74	12. R 6006	RULMAN	BEARING	1	3
75	12. DZH200-008	ANA MİL SAĞ RULMAN YATAK	BEARING HOUSING RIGHT (MAIN SHAFT)	1	3
76	12. DZH200-005	ANA MİL ALTI KÖŞE YATAK	HOUSING MAIN SHAFT	1	3
77	13. M8x15 HIC	HAVŞA BAŞLI İMBUS CİVATA	FLAT HEAD SCREW	4	3
78	12. DZH200-006/BS	BOŞ TAMBUR	DRUM	1	3
79	11. DZH200 ÇÇ	ÇELİK ÇARKLI UÇ	STEEL TIPS	120	3
80	13. M12 PGÇ	M12 GENİŞ ÇAPLI PUL	SPACER M12	132	3
81	11. DZH200 TCU	TUNGSTEN CARBİDE UÇ	TUNGSTEN CARBIDE TIPS	68	3
82	13. M12 PGÇ	M12 GENİŞ ÇAPLI PUL	SPACER M12	80	3

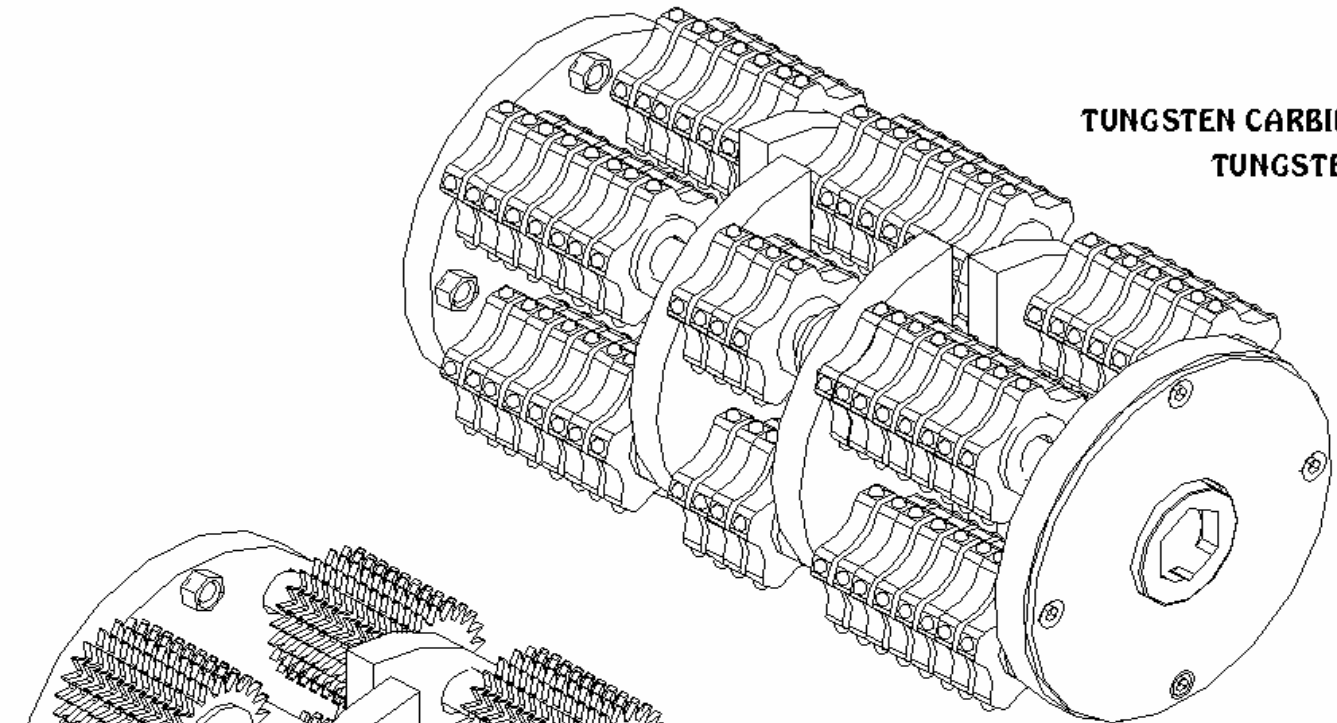
OSCAR

DZH200 ZEMİN FREZE SURFACE PREPARATION

FIGURE 3



**TUNGSTEN CARBIDE UCLU TAMBUR
TUNGSTEN CARBIDE BITS**



**CELIK UCLU TAMBUR
STEEL BITS**

